

 **REAL-EL**

USER MANUAL



PORTABLE SPEAKER SYSTEM
with **BLUETOOTH** and **FM**

X-757

Congratulations on your purchase of the REAL-EL speaker system!

COPYRIGHT

© 2020. ENEL GROUP OU.

This Manual and information contained in are copyrighted. All rights reserved.

TRADEMARKS

All trademarks are the property of their legal holders.

1. BUYER RECOMMENDATIONS

- Unpack the device carefully. Make sure there are no accessories left in the box. Check up the device for damage; if the product was damaged during transportation, address the firm, which carried out the delivery; if the product functions incorrectly, address the dealer at once.
- Check up the package contents and availability of the warranty card. Make sure the warranty card has a shop stamp, a legible signature or the seller's stamp and purchase date, and the goods number corresponds to that in the warranty card. Remember: in case of warranty card loss or discrepancy of numbers you forfeit the right for warranty repairs.
- Do not switch on the speaker system immediately after you bring it into a room from environment with negative temperature! After unpacking, the speaker system should be kept in conditions of room temperature for at least 4 hours.
- Before installing and using the speaker system, read this Manual carefully and keep it for future reference.

2. PACKAGE CONTENTS

- Portable speaker system — 1 pc
- 3.5 mm mini-jack to 3.5 mm mini-jack signal cable — 1 pc
- USB to micro USB power cable — 1 pc
- Remote control (RC) — 1 pc
- User's manual — 1 pc
- Warranty card — 1 pc

3. SAFETY PRECAUTIONS

- Do not open the portable speaker system (PSS) and do not perform repairs by yourself. Service and repairs should be performed only by qualified specialists at authorized service centers. The list of authorized service centers is on www.real-el.com
- Make sure that foreign objects do not get inside the holes of the PSS.
- Protect the PSS from high humidity, water and dust.
- Protect the PSS from heating: do not place it closer than 1 m from a heat source. Do not expose it to direct sunlight.
- Do not use any chemical agents for cleaning. Clean it with dry soft cloth only.
- In case of PSS does not work properly. Please contact place of purchase or service center.

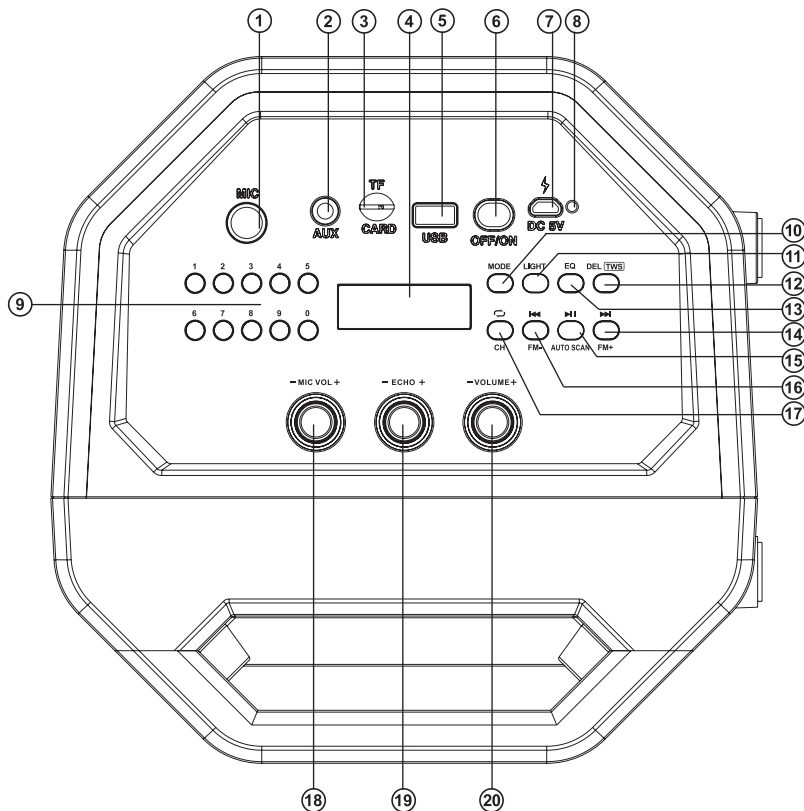
Special features

- FM radio
- Remote control
- TWS - simultaneous connection of two systems to one audio source
- Bluetooth audio transmission
- USB, Micro SD (TF)
- AUX connection for use with PC, TV and other sources
- Equalizer adjustment high and low frequency
- Extended running time
- RGB backlight

4. TECHNICAL DESCRIPTION

Control panel

- ① MIC: 6.3 mm jack microphone jack
- ② AUX: 3.5 mm mini-jack for audio signal connecting (phone, MP3 player, etc.)
- ③ TF CARD: Micro SD card slot
- ④ Display
- ⑤ USB port
- ⑥ Power ON/OFF
- ⑦ Charging DC 5V
- ⑧ Indicator
- ⑨ 0-9: Track number selection (in Player mode);
Station number/frequency selection (in Radio mode)
- ⑩ MODE: Bluetooth/FM/USB/Micro SD/AUX (short press);
Turn ON/OFF prompt system tone (long press).
- ⑪ LIGHT: Switching backlight modes
- ⑫ DEL/TWS: FM station delete (long press in Radio mode);
Connect an additional speaker (Bluetooth mode only).
- ⑬ EQ: Sound Effect mode (short press); Reset (long press)
- ⑭ FM+ / ►: Next track (short press in Player and Bluetooth mode);
Navigation on the track (long press in Player mode);
Next track/station (in Radio mode).



⑮ AUTO SCAN/⏸: Play/Pause button (in Player and Bluetooth mode); Start/Stop auto scan (long press in Radio mode).

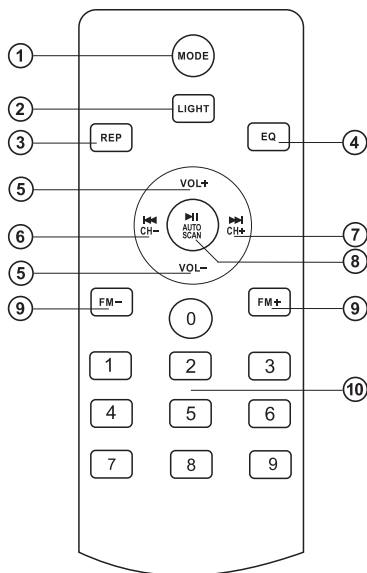
⑯ FM-/⏮: Previous track (in Player and Bluetooth mode); Navigation on the track (long press in Player mode); Previous station (in Radio mode).

⑰ CH/⏪: Button for switching between stations or frequency (in Radio mode); Switch playback mode (ALL, ONE, RANDOM):
ONE – Repeats the current track;
RAND – Play tracks in the random order;
ALL – Plays all tracks in the sequential order.

⑱ MIC VOL +/-: Microphone volume control.

⑲ ECHO +/-: Microphone echo adjustment.

⑳ VOLUME +/-: Volume control.



Remote control

- ① **MODE**: Switching modes button: Bluetooth/FM/USB/Micro SD/AUX (short press); Long press: turn ON/OFF prompt system tone.
- ② **LIGHT**: Switching backlight modes (short press); Light OFF (long press).
- ③ **REP**: Disconnect from the device (long press Bluetooth mode); Switch playback mode (ALL, ONE, RANDOM)
- ④ **EQ**: Select EQ mode
- ⑤ **VOL-/+**: Volume up/down
- ⑥ **CH- ◀**: Previous track (in Player and Bluetooth mode); Previous station (in Radio mode).
- ⑦ **CH+ ▶**: Next track (in Player and Bluetooth mode); Next station (in Radio mode).
- ⑧ **AUTO SCAN |**: Play/Pause button (in Player and Bluetooth mode); Start auto scan (long press in Radio mode);
- ⑨ **FM-/+**: Frequency change (in Radio mode).
- ⑩ **0-9**: Numeric pad for entering track number (in Player mode) or number track/station in Radio mode

5. CONNECTION AND OPERATION

Charging the battery

• Before operation, fully recharge the battery. The charger is not included. Charge this device with a DC 5V universal charger with output current 2A.

• Insert the charging cable into the charger connector, connect the other end to the charger, the charging indicator will be activated. The red charging indicators will light up until in full charge.

It is not recommended to leave the device for a long time connected to the charger after it is fully charged.

Do not charge the speaker at low ambient temperatures. The minimum charge temperature is at least 10 °C.

Bluetooth mode

• Turn the unit into Bluetooth mode with the Mode[Ⓢ] button repeatedly until "bt" appears on the display. After 2-3 seconds the device will go into search mode.

• Select a Bluetooth device search mode on the audio source (mobile phone, tablet, etc.). The display will show the name "REAL-EL X-757" which need to establish a connection. After a successful connection, the loudspeaker will sound a signal.

TWS mode (connecting two systems in stereo at the same time)

Connection is possible only in Bluetooth mode

• Turn on both speakers in Bluetooth mode.

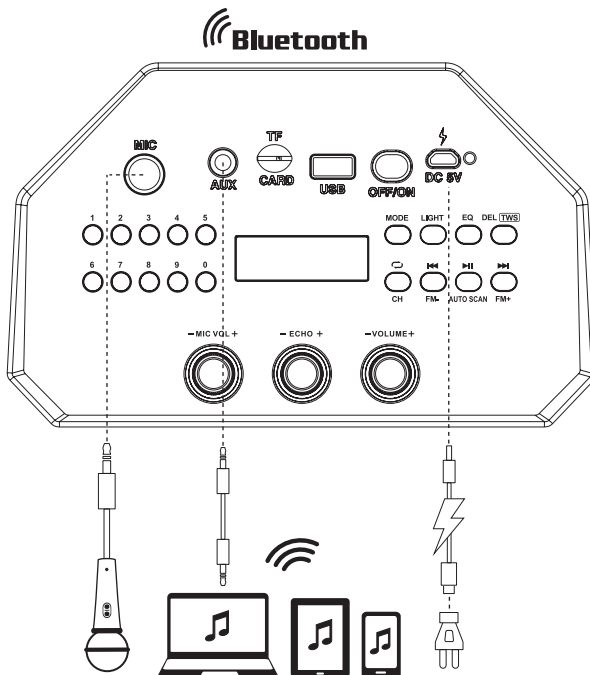
• Connect the signal source to one of the speakers, the other speaker must be in Bluetooth signal search mode.

• On the other speaker (which need to connect), press and hold the DEL (TWS) button.

• If the two speakers are successfully connected to each other, TWS will be activated.

KARAOKE mode

To start using, connect the microphone to the connector^①, adjust the volume level[Ⓢ]. The karaoke mode is activated automatically with any audio sources except FM mode.



FM mode

- **FM mode requires external antenna. Use AUX cable as antenna for radio mode.**
- Turn the FM mode with the Mode[Ⓢ] button repeatedly until the frequency of the radio station appears on the display.
- In the playback mode, long press the "AUTO SCAN/▶▶" button to automatically search FM stations and save them automatically. Press the "◀◀" or "▶▶" buttons to switch between stations.
- Press DEL button to delete saved radio station. Radio works its external antenna only!

Playback mode

- Insert a SD card or USB flash drive into the corresponding slot, the audio track will be played automatically. In the playback mode, briefly press the "◀◀" or "▶▶" button to select the desired tracks.
- Press the "▶▶" button to play or pause.

Note: During Bluetooth playback mode, if you insert a SD card or USB, Bluetooth will be turned off and USB or SD card will play. Press the "Mode[Ⓢ]" button to return to Bluetooth mode again. The USB port is designed for connecting USB storage media only. Do not use this connector for charging purposes, as this may cause damage of the speaker.

AUX mode

- For compatible music devices, use an audio cable with the 3.5 mm mini jack supplied in the box. Connect the cable to the audio input of the AUX and to any audio source with a 3.5 mm mini jack. Then press the "Mode[Ⓢ]" button to switch to AUX mode.

Use AUX cable as antenna for radio mode.

Note: You must turn off the power button "OFF / ON." If the system is not used for a long time.

6. SPECIFICATION

Parameter, measurement unit	Value
Output power (RMS), W	50
Frequency range, Hz	40-22000
Dimension of the speaker drivers, mm	2 x Ø 40 + 2 x Ø 120
Supported Bluetooth Profiles	L2CAP/A2DP
Connection types	Bluetooth/USB/Micro SD/AUX
Power supply	lithium-ion 4000 mAh (2 pcs), DC 7.4V battery
Bluetooth operation distance, m	up to 10
Case material	ABS plastic
Dimensions of the product, mm	470 x 240 x 240
Weight, kg	3.8

Notes:

- *Technical specifications given in this table are supplemental information and cannot give occasion to claims.*
- *Technical specifications and package contents are subject to change without notice due to the improvement of REAL-EL production.*



Manufacturer: ENEL GROUP OU, Harju maakond, Rae vald, Jüri alevik, Aruküla tee 55a, 75301, Estonia.
© Registered Trademark of ENEL GROUP OU. Estonia.